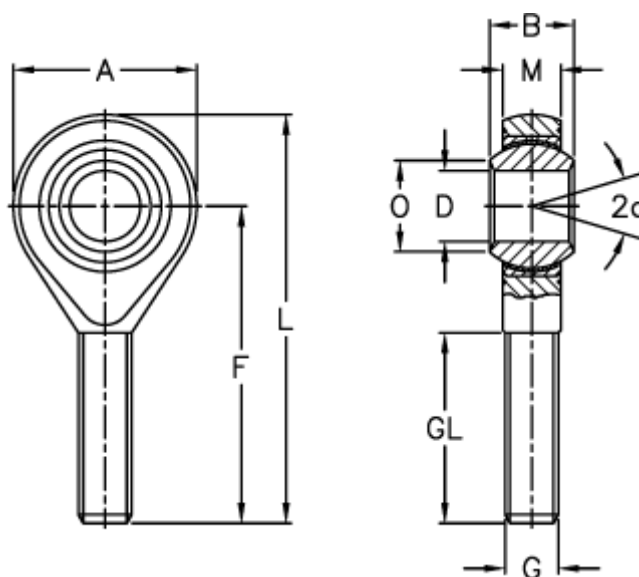


Article number: 03021040

Description: Fluro Rod End GARSW 40-R
Housing and ball in stainless steel

Measures



| | | | |
|---------------------|---------|---------------------|--------|
| A | = 90 | L | = 187 |
| a (degrees) | = 16 | M | = 35 |
| B | = 49 | O | = 44.2 |
| D | = 40 | Permissible rpm | = 100 |
| Dynamic load C (kN) | = 286 | Static load C0 (kN) | = 235 |
| F | = 142 | Weight (g) | = 2570 |
| g | = M42x2 | | |
| GL | = 78 | | |